



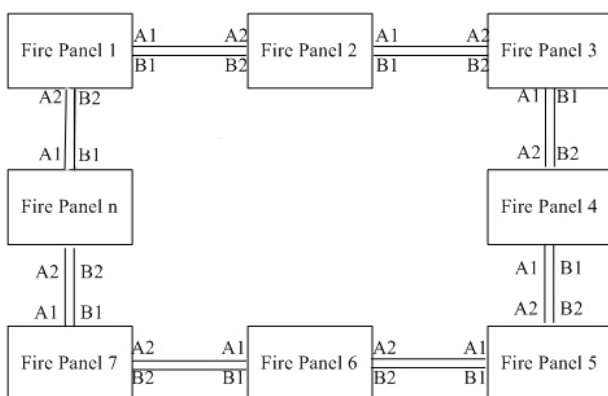
# Network Repeater Panel

GST-NRP01

## Description

GST-NRP01 Network LCD Repeater Panel is designed to control and reset the alarm remotely and display fire, fault, action and supervisory. This repeater panel can display the location numbers and information of the detectors and sends out audible and optical signals. Through RS485 communication network the repeater can be connected to all GST Intelligent fire alarm controllers. Compact size and easy to install. The repeater can be used whenever there is a need to relay information to multipoint informing key personnel.

## Networking



## Selection of Compatible panels

Compatible with all GST Intelligent fire alarm panel.

## Features and Benefits

- Display exact message from the networked panel
- Control key for Evacuate, Reset, Silence and Panel Mute
- Extending Network distance up to 2.4Km
- Built in Sounder
- Password protected
- Back Lit LCD displays
- Connected to network RS 485 Class A
- Easy to install

## Technical Specifications

- Operating voltage: 24Vdc (20-27Vdc)
- Power Consumption: Standby power: 350mA  
Maximum: 550mA
- Display: 4x36 characters
- Operating temperature: 0°C to +40°C
- Relative humidity: 95%
- Protection Rating: IP30
- Application: Indoor use
- Material and colour:
- Wiring: 1 pair PSU supply and 1 pair Network data signal Class A
- Cable Length: 1.2Km between panels
- Dimensions: 390 x 270 x 100 mm

## Ordering Information



**Part Number:** GST-NRP01  
**Description:** Network Repeater Panel  
**Weight / Kg.:** 3.3  
**Pack Qty. per Box:** 1

